

6

5

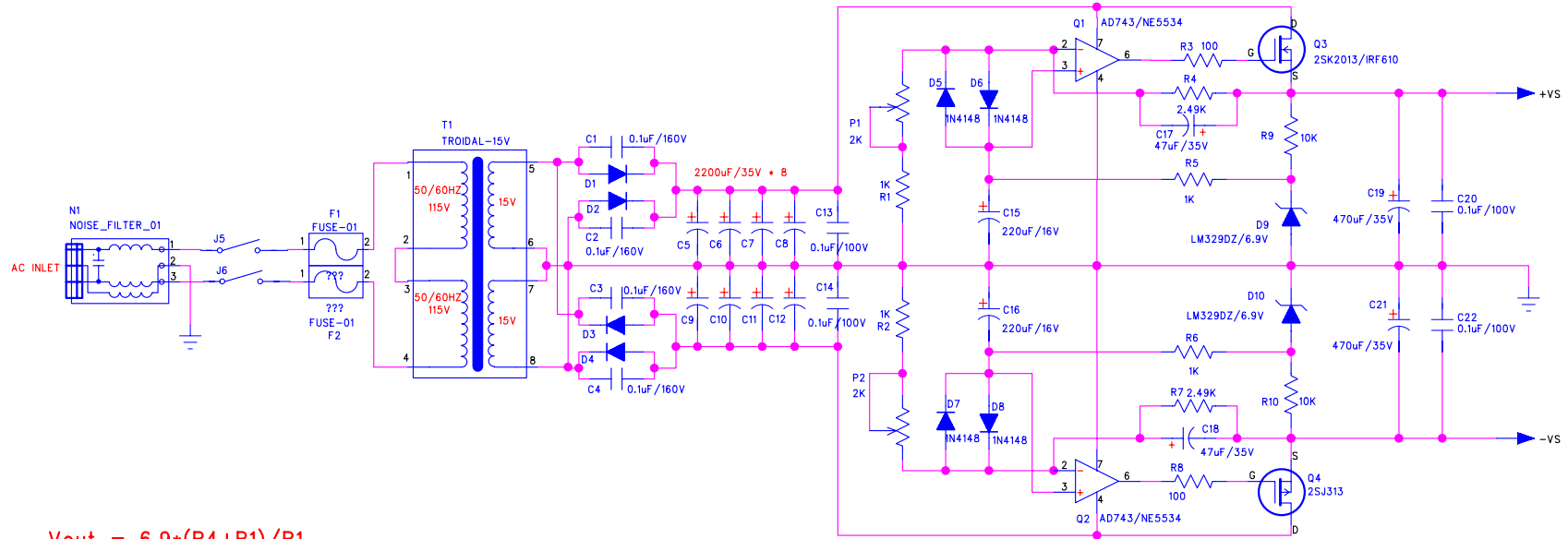
4

3

2

1

REVISION RECORD			
LTR	ECO NO:	APPROVED:	DATE:



$V_{out} = 6.9 \cdot (R_4 + R_1) / R_1$

COMPANY: www.hos.pe.kr			
TITLE: EB-802 PSU			
CODE:	SIZE:	DRAWING NO:	REV:
SCALE:		SHEET: OF	

DRAWN: BokYeol Lee	DATED:
CHECKED:	DATED:
QUALITY CONTROL:	DATED:
RELEASED:	DATED:

D

C

B

A

D

C

B

A